



INFINIUM[®]

Stainless Series

100%



IMPROVING THE LEVEL OF CARE

Our stainless steel lineup offers unrivaled value with high grade materials, American manufacturing, a class leading warranty, and unmatched customer service.

Partner with us for worry free products that stand the test of time.

PERFORMANCE
USABILITY
DESIGN
RELIABILITY



(866) 846-7517

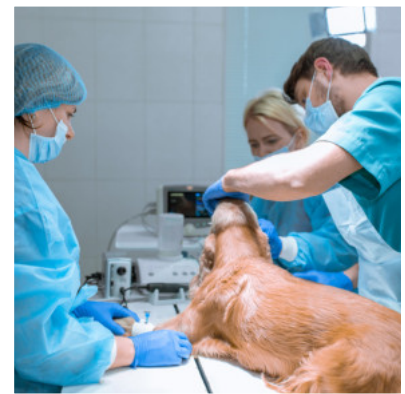
infiniumvet.com



Table of Contents

- 4** Wet Tables
- 6** Surgical Tables
- 9** Exam Tables
- 10** Cabinets
- 11** Work Tables & Stands
- 12** Sinks
- 14** Tubs & Baths
- 15** Kennels & Cages

Veterinary Stainless Steel
Equipment for Exam,
Treatment, & Surgical Settings



STAINLESS WET TABLES



Economy Bi-Level Wet Table

60"L x 24"W with Prep Rack

Heavy-duty 16 gauge 304 stainless steel. This well-crafted economy Bi-Level Wet Table is available at an affordable price! Fabricated from 100% stainless steel this tub measures 6" deep at the knee space and 15" deep at the faucet end.



Economy Bi-Level Tub Table

15" Deep Stainless 60"L x 24"W

- High quality 304 grade, 16-gauge stainless steel sink/liner
- Tub is 15" deep
- Stainless steel prep rack sits on neat inner lip and provides easy clean up
- Equipped with convenient floor levelers to adjust for proper water drainage
- Ideal for dental procedures and necropsy

Millwork Wet Table Cabinet and Drawers with Knee Space

Flexible Sizes & Configurations

- 6" Deep High quality 304 grade, 16-gauge stainless steel sink/liner
- Stainless steel prep rack sits on neat inner lip and provides for easy clean up and sanitizing
- Constructed with solid high quality plywood and covered with high pressure laminate
- Standard cabinet color is almond. Other laminate choices available
- Choose between cabinet and drawer combos
- Includes laminated sealed toe kick base



Plumbing Available & Purchased Separately



No assembly required. Fully built with high grade materials



(866) 846-7517

infiniumvet.com

STAINLESS WET TABLES



60" Vetline Stainless Wet Table with Cabinet

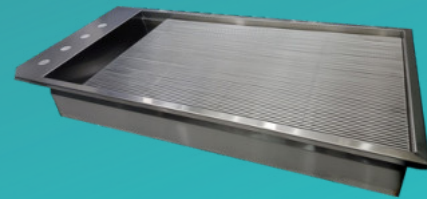
This 6" deep VetLine Wet Table provides flexibility for all your daily surgical procedures and dental services. The liner features radius corners to eliminate all seams and welds. The unit has all stainless steel latches, hinges, and handles. The base includes 1 large cabinet and 3 full extension drawers for ample storage. Its design accommodates knee space during seated procedures. A stainless-steel prep rack is also included.

- Durable stainless cabinet made of 16-gauge, 304 grade stainless steel
- Liner is 6" deep and 60"L x 24"W
- All stainless hinges, latches, and handles
- Stainless steel prep rack sits on an inner tub lip allowing for easy clean up
- Overhang knee space for seated procedures
- 1 spacious cabinet and 3 drawers provide plenty of storage space
- Product is shipped fully assembled in crate and ready to install
- Plumbing fixtures can be purchased separately



Stainless Prep Rack Cover

This stainless steel rack cover fits our 60" or 48" Wet Tables and our Drop-in Liners. Provides versatility as a work surface for surgery, exams and clinical procedures.



Stainless Steel Prep Rack

Stainless steel prep rack designed to fit into our 60" or 48" Wet Tables and Drop-In Liners. The stainless steel wire rack provides a comfortable secure clean surface. This easy-to-sanitize rack is perfect for surgeries and dental procedures.



Economy Low Profile Wet Table

6" Deep Stainless 60"L x 24"W

- High quality 304 grade, 16-gauge stainless steel sink/liner
- Tub is 6" deep
- Stainless steel prep rack sits on neat inner lip and provides easy clean up
- Equipped with convenient floor levelers to adjust for proper water drainage

SURGICAL TABLES

PANNOMED ECO-LIFT

Stainless Treatment & Surgical Table

This rock solid stainless steel treatment/surgical table is manufactured with premium materials and engineering requirements. The versatile platform is anchored by an adjustable powder-coated heavy-duty steel frame for maximum stability. Hydraulic and power configurations are available.

Base Color

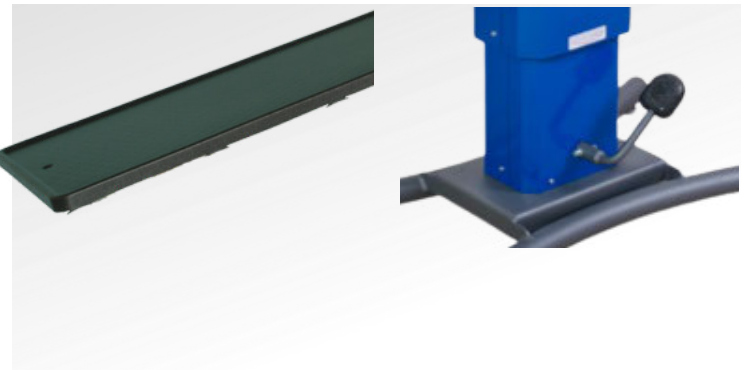


Optional Colors*



FEATURES

- Made of high-end steel and aluminum
- Premium material frame & design for maximum stability
- Resilient powder-coated surface with 5 color options
- Height Adjustment: 28.2" to 40.3"
- High-end stainless steel table top with drain
- TOP Dimensions: 51.2" x 23.6"
- TOP Longitudinal Tilt: Up to 90°
- Includes drain gutter and drip tray (extendable)
- Includes 2 side rails
- **Optional:** Electric or Hydraulic Height Adjustment
- **Optional:** Synthetic low skid table top
- Lift Capacity: 265lbs
- Power Supply: 120V / 60Hz



(866) 846-7517

infiniumvet.com

SURGICAL TABLES

PANNOMED ECO-LIFT

V-TOP Stainless Treatment & Surgical Table

This rock solid V-TOP treatment/surgical table is manufactured with premium materials and engineering requirements. The versatile platform is anchored by an adjustable powder-coated heavy-duty steel frame for maximum stability. Hydraulic and power configurations are available.

Base Color



Optional Colors*



FEATURES

- Made of high-end steel and aluminum
- Premium material frame & design for maximum stability
- Resilient powder-coated surface with 5 color options
- Height Adjustment: 28.2" to 40.3"
- Removeable high-end stainless V-TOP style table top
- V-TOP Dimensions: 56.3"x 19.7"
- V-TOP Split Angle: Up to 45°
- V-TOP Longitudinal Tilt: Up to 90°
- Includes drain gutter and drip tray (extendable)
- Includes 2 side rails
- **Optional:** Electric or Hydraulic Height Adjustment
- Lift Capacity: 265lbs
- Power Supply: 120V / 60Hz



EXTENDABLE DRAIN GUTTER



OPTIONAL POWER VERSION

SURGICAL TABLES

LowMax ES

Power Surgery Lift Table

- Surgery top is 304-grade, 16-gauge stainless steel
- Top measures 22"W x 58"L with raised edge to prevent dripping
- Channeled top directs fluids to drain with pail hook
- Four tie-down restraint cleats
- Hand-adjustable tilt-top
- Adjustable leveling feet
- Double powder coated for life long finish
- Foot operated pedals on both sides, raises from 13 1/2" to 41" high
- Smooth lowering and lifting function capacity up to 300 lbs.
- Plug-in electric operation, with integrated duplex electric outlet



Pictured Anesthesia machine sold separately.

Stainless Anesthesia Gurney

Portable Rolling Platform with Pole Mount

Heavy-duty 16 gauge 304 stainless steel. It can include up to two under shelves. Legs are premium stainless tubing with rolling bumpers and swivel casters with locking brakes. Designed for anesthesia environments with an anesthesia pole opening and clamp.

- Medium 48"L x 24"D x 36"H
- Large: 58"L x 24"D x 36"H
- Optional e-tank bracket holder
- Optional liquid drain and pail hook
- Optional small drawer
- Custom sizes available

LowMax Hydra

Economy Hydraulic Surgery Table

- 304-grade, 16-gauge stainless top
- Top measures 22"W x 44"L with raised edge to prevent dripping
- Channeled top to directs fluids drain outlet with pail hook
- Four tie-down restraint cleats
- Hand-adjustable tilt-top
- Low maintenance hydraulic operation
- Double powder coated base for durable lifetime finish
- Table raises from 19" to 44" high
- Smooth lowering and lifting function capacity up to 250 lbs



(866) 846-7517

infiniumvet.com

EXAM TABLES



LowMax EX

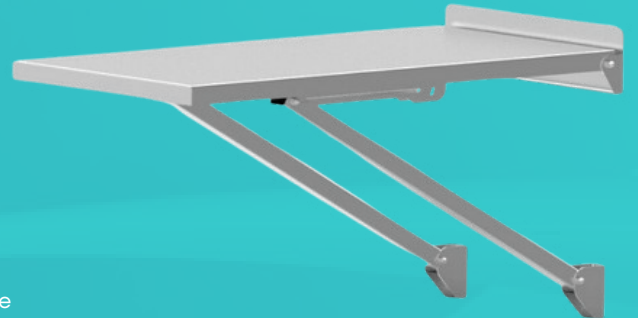
Power Exam Lift Table

- Exam top is fabricated with 304 grade, 16 gauge stainless
- Top measures 22"W x 58"L with raised marine edge
- Double powder coated and will stand up to cleaning and disinfecting solutions
- Foot operated pedals on both sides, raises from 13 1/2" to 41" high
- Smooth lowering and lifting function capacity up to 300 lbs
- Plug-in electric operation
- Duplex electric outlet on base

Wall Mount Exam Table

44" Heavy-Duty Stainless Fold-Out

Wall-mounted exam table constructed of heavy-duty 18 gauge 304 stainless steel. The leg braces are constructed of 1-1/2" square stainless steel tubing and have extra heavy-duty 12 gauge stainless mounting brackets. It includes a 2" high splash to help protect walls. Easily folds up and out of the way when not in use, creating extra space for other tasks. The platform measures 44"L x 21" W.



Transport EX

All Purpose Lift, Examine, & Transport

- Exam top with 304 grade, 16 gauge stainless steel
- Top measures 22"W x 58"L with raised edge to prevent dripping
- Four tie-down restraint cleats and corner bumper guards
- Double powder coated base for lifetime durability
- Foot operated pedals on both sides, raises from 17" to 44" high
- Smooth lowering and lifting function capacity up to 300 lbs
- A strong rechargeable battery pack maintains a 24 volt actuator system
- Four corrosion-resistant locking castors

STAINLESS CABINETS



Stainless Operating Room Cabinets

2 Glass Doors & 4 Adjustable Shelves

These stainless cabinets are constructed of 16 gauge type 304 stainless steel. Comes with 4 ea. multiple height adjustable shelves. Tempered glass doors with locking paddle lock handles.

Standard Unit Size: 47"W x 24"D x 72"H

Our operating cabinets are available with a free standing base or with optional heavy-duty locking casters. Custom sizes are available base on your specifications

All Stainless Built-In Cabinets

Custom Configurations & Sizes

Made from heavy-duty 16 gauge 304 stainless steel, our cabinets can be found in many of the country's leading veterinary hospitals and clinics.

Primary options include glass doors, adjustable shelving, lockable doors and drawers, custom sinks, and plumbing fixtures. We can work with your specifications to design a solution to fit your needs.



Stainless Exam Cabinet with Marine Edge Top

Medium: 44" x 22" x 36"
3 drawers / 1 door with left or right side configurations

Large: 58" x 22" x 36"
3 drawers / 1 door with left or right side configurations



Stainless Crash & Anesthesia Supply Carts

Crash Cart: 28"L x 18"D x 37"H
4 drawers / open bottom with cable management holes

Anesthesia Cart: (Shown)
28"L x 18"D x 37"H
3 drawers / 2 bottom doors



(866) 846-7517

infiniumvet.com

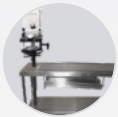
STAINLESS TABLES & STANDS



Bumpers



MRI SAFE
OPTIONS



Anesthesia
Machine Option



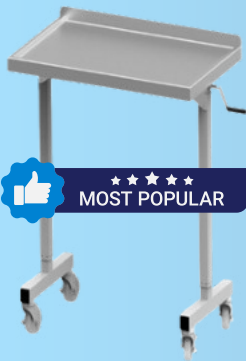
Transport Gurney

Medium: 48"L x 24"D x 36"H
Large: 60"L x 24"D x 36"H



Drawer Option

Medium: 46"L x 26"D x 36"H
Large: 60"L x 26"D x 36"H

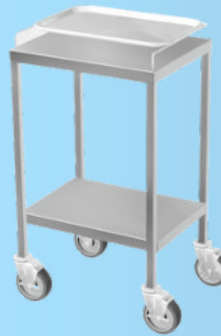


★★★★★
MOST POPULAR

Height Adjustable
40"W x 23"D
Marine Edge & Guard



Height Adjustable
40"W x 23"D



20"L x 16"D x 34"H
Optional Drawer
Optional Rail Tray



Height Adjustable
Mayo 30"W x 26"D
Marine Edge



Custom Sizes
Available for All
Tables & Stands

Heavy-Duty
16 Gauge
Stainless Steel



Medium: 41"L x 30"D x 36"H
Large: 60"L x 30"D x 36"H

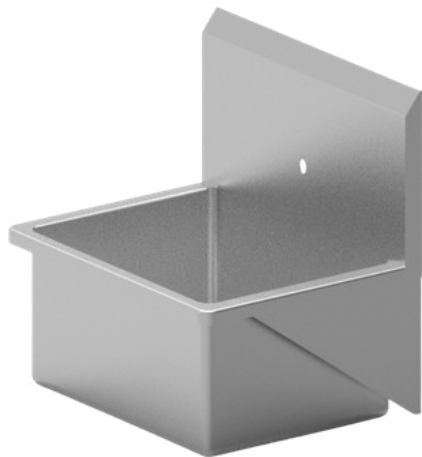


48"L x 30"D x 36"H

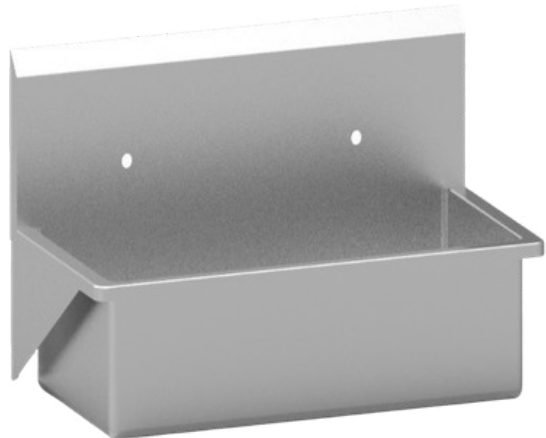
STAINLESS SINKS

Infinium Veterinary offers professional grade surgical scrub sinks designed to meet the most demanding animal health environments. All of our sinks are fabricated with 16-gauge heavy-duty 304 stainless steel and smooth well finished edges and welds. These products are very easy to clean and will last a lifetime.

Premium Surgical Scrub Sinks



PROFESSIONAL
BACKSPLASH



Single Surgical Scrub Sink with Rounded Corners & 12" Backsplash

Bowl: 28"L x 18"D x 10.5"H
Wall Mount: 30"L x 21"D x 22.5"H

Double Surgical Scrub Sink with Rounded Corners & 12" Backsplash

Bowl: 46"L x 18"D x 10.5"H
Wall Mount: 48"L x 21"D x 22.5"H

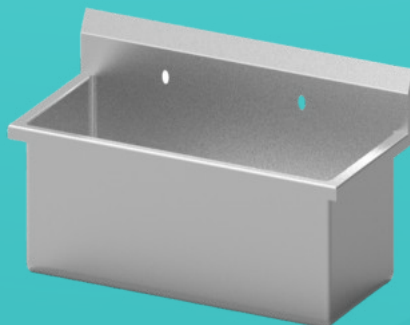
Our pro-series sinks provide excellent protection from water damage while also offering premium ergonomics and styling. These units are compatible with a wide range of wall mount faucets, sprayers, valves, and drain options.

Standard Surgical Scrub Sinks



Single Wide Surgery Scrub Sink

Bowl: 25"L x 20"D x 10.5"H
Wall Mount: 28"L x 23.5"D x 15.5"H
Counter Drop: 28"L x 26"D x 10.5"H No Splash



Double Wide Surgery Scrub Sink

Bowl: 45"L x 20"D x 10.5"H
Wall Mount: 48"L x 23.5"D x 15.5"H
Counter Drop: 48"L x 26"D x 10.5"H No Splash



Single Scrub Sink with Drain Board

Bowl: 28"L x 18"D x 10.5"H
8" Drain Board: 36"L x 23.5"D x 15.5"H
20" Drain Board: 48"L x 23.5"D x 15.5"H



(866) 846-7517

infiniumvet.com

STAINLESS SINKS



Stainless Kennel / Utility Table with Sink, Backsplash and Under shelf. 72" x 28" x 40"

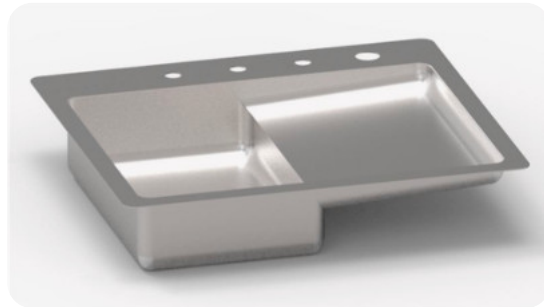
Work & Utility Sinks

Infinium Veterinary offers professional grade work sinks designed to meet the most demanding animal health environments. All of our sinks are fabricated with 16-gauge heavy-duty 304 stainless steel and smooth well finished edges and welds. These products are very easy to clean and will last a lifetime.

All sinks can come in left of right dominate configurations and are available with a variety of plumbing fixture options.



Stainless Utility/Rinse Sink with 24" Drainboard
46.25"L x 30"D x 43"H



Stainless Drop In Fecal Sink - 22.9" x 22.6" x 11.25"

Work & Scrub Sink Plumbing Fixtures



Gooseneck Swivel Spouts

Various size available with wall or sink mount options. Ask about hands-free model.



Specialty Sink Valves

Wall or floor mounted heavy-duty foot & knee valves



Hair Interceptor Drain Trap

Prevents clogging of P-Traps. Simple clog free clean out.



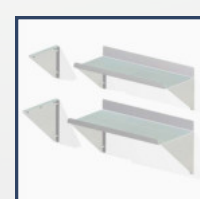
Sprayer Faucet Combinations

Industrial grade sprayer & faucet hardware comes in a variety of mounts & sizes.



Atmospheric Vacuum Breaker

Anti-siphon device designed to prevent contamination of fresh drinking water.



Wall Mount Shelving

One piece cantilever support design is available at std 24"L & custom up to 10' 6"L. Turn-up or down style.

STAINLESS TUBS



Plumbing fixtures purchased separately

AquaQuest Walk-in Tubs

Animal bath designed for the needs of the practitioner and pet. Cove molded edges increase tub wall integrity. The 16-gauge stainless steel tub allows for easy walk-in ability for larger animals with a convenient ramp that extends and withdraws into the face of the tub. Both the ramp and the slide-away stainless steel door allow easy access, and can be operated with one hand for safety and efficiency.

- Fabricated with 16 Gauge, high quality 304 grade stainless steel
- Fully welded double reinforced front panels
- Cove molding on all edges
- Telescoping full extension ramp with non-slip rubber padding
- Includes 1 tie-out bar with floating ring & 2 eye-hook restraints
- Adjustable feet for proper water drainage
- Plumbing can be located on left or right side of tub
- Includes hose hook and drain assembly.



Available in
48" Model

32" Mini Monster Small Breed Tub

Engineered for Small Animals, Cats, & Dogs

Eliminates back-breaking, leaning or bending over to bathe smaller clients. The Mini Monster stainless veterinary bathtub is engineered for small animals, cats and dogs up to 30 lbs. The front panel stands at 34" in height and 32" wide.



58" Monster Stainless Bath Tub

Large Breed Low Profile Walk-In

- Tub is fabricated with 16 gauge, high-quality 304-grade stainless steel
- Fully welded and finely crafted to provide years of use
- Cove molding on all edges for increased tub wall integrity
- 4 eye hooks to keep animal safely secured inside while bathing
- Adjustable feet
- Plumbing can be located on left or right side of tub



(866) 846-7517

infiniumvet.com



CAGES & KENNELS

DAISY – 4' SS Cage Assembly 48" x 54"

Includes Mobile Cage Platform with Heavy-Duty Casters

Produced from 16-gauge, 304-grade stainless steel, these cages sport finished top and end panels for a polished look. With several sizes to choose from, they can be arranged in a variety of configurations or used individually and can be expanded for changing needs.

They feature our custom-designed, exclusive latching system for easy, one-handed access. Cages are also easy to clean and sanitize.

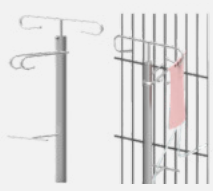
Standard Base Unit

4' Cage Assembly: 3 SS Cages-2 Rows. OD:48"Wx54"Hx28"D.

Bottom Row: (1) Cage - 48"Wx30"Hx28"D with divider

Top Row: (2) Cages - 24"Wx24"Hx28"D

Full Unit: 48"W x 54"H x 28"D

Cage Mount IV Pole
(Sold Separately)

Save floor space by easily attaching to cage front doors. Holds two IV bags most size pumps and is height adjustable.

Premium Quality Millwork Cages Assemblies

The Plywood Difference

Most manufacturers use particle board because it is lower cost and uniform. Particle board is known for structural strength or to last in wet areas like cages, exam, grooming, critical care, or operating room areas.

Our millwork cabinets are built to stand the test of time in environments prone to moisture with higher quality plywood board. Plywood is extremely tolerant to moisture and has exceptional strength for much longer-lasting laminate structure.



Wide Range of Sizes & Configurations

We fit your workflow, space, & budget!

INFINIUM VET



 866.846.7517

 [infiniumvet.com](https://www.infiniumvet.com)

**Surgical & Stainless Tables,
Tubs, Sinks, & Cages**